



Partnering for Flow Control

# Product Catalog

High quality flow control valves and PEX pipe fittings  
for Residential, Commercial, Irrigation and Leisure fields



Partnering For Flow Control



[www.sagiv.com](http://www.sagiv.com)



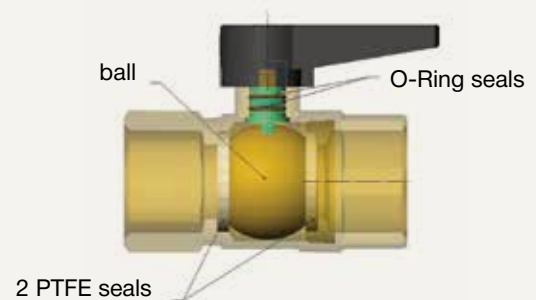
# Table of Contents

Table of Contents .....	3
Fluids & Air Valves.....	4
Ball Valves – The Green Line.....	5
Vented Ball Valves – The Green Line .....	6
Fast Motorized Ball Valve – The Green Line .....	7
3 Way Ball Valve – SY – The Green Line.....	8
Lead Free Ball Valves – The White Line.....	9
Check Valves – The White Line .....	9
Angle Seat Valves – The Orange Line.....	10
LPG & Natural Gas Valves – The Yellow Line.....	11
Hydronic & HVAC Valves – The Blue Line.....	16
Elongated Handle Ball Valves.....	17
Motorized Zone Valves .....	19
Thermostatic Mixing Valves (TMV).....	20
Caravan/RV Utilities Line.....	21
Outdoor Shower Point.....	22
Water Inlet Point (Pressure Reducer).....	22
Outdoor Barbeque Point (LPG).....	23
PEX & PEX-ALU-PEX Solutions .....	24
Sagiv UltraSlide™ .....	24
Press & Screw PEX-AL-PEX pipe Fittings .....	26
About Sagiv.....	28

# Fluids & Air Valves

A line of products designed for Flow Control Systems: Residential, Commercial, Irrigation systems and Agriculture.

The Green line is a Line of Ball Valves made from Standard CW617 Brass, while the White Line is a line of Ball Valves and Check Valves made from Lead-Free Brass. The Orange Line contains innovative series of Angle Seat Valves.



## SPECIFICATIONS:

- Valves main body material:
  - o Green Line - Standard Brass CW617N
  - o White Line & Orange Line – Standard Lead-Free Brass CW510L
- Ball Gaskets Material - P.T.F.E
- Working Pressure - up to 28 ATM (400psi)
- Working Temperature Range -5°C - +100°C
- Sizes - 1/4" up to 2"
- Threads - NPT, BSP (According to the Israeli standard 50.3 (ISO R7/1))

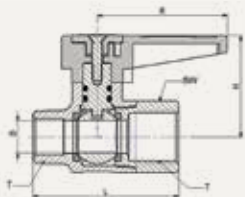
## OPTIONS:

- Plating - Nickel, Nickel-Chrome
  - Handle Size - Various handle sizes and shapes
- In addition Sagiv provides custom-made solutions that can meet various customers' specific requirements.

## STANDARDS:

- Green Line - Israeli standard no. 1144
  - White Line & Orange Line - Israeli standards no. 5452 & 1144
- Other international standards are available.

## SA 200 Ball Valve

**FEATURES:**

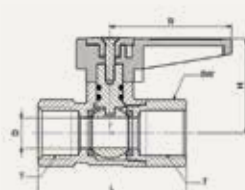
- Male to Female Large bore ball valve
- Standard Brass CW617N
- Possible Threads: BSP or NPT
- Working Pressure - up to 28 Bar (400psi)

**OPTIONS:**

- Long handle
- Nickel or Nickel-Chrome plating

CAT. NO. BSP	CAT. NO. NPT	T Thread	D Dia mm	H mm	L BSP mm	L NPT mm	Short Handle mm	Long Handle mm	SW HEX	Qty/Box Short Handle	Qty/Box Long Handle
1A1002000	1A1002100	1/8"	5.0	26.9	36.0	38.0	36.5	-	21.0	50	-
1A1004000	1A1004100	1/4"	8.0	26.9	41.5	46.5	36.5	-	21.0	50	-
1A1006000	1A1006100	3/8"	8.0	26.9	51.0	53.0	36.5	-	21.0	50	-
1A2008000	1A2008100	1/2"	13.0	48.0	57.5	55.5	51.0	96.0	25.0	50	40
1A2012000	1A2012100	3/4"	17.0	52.0	70.0	69.5	51.0	96.0	32.0	40	30
1A2016000	1A2016100	1"	21.0	55.0	79.5	79.0	51.0	96.0	38.0	30	25
1A2L20000	-	1 1/4"	28.0	83.0	94.0	96.0	-	96.0	48.0	-	10
1A2L24000	1A2L24100	1 1/2"	32.0	83.0	99.0	93.0	-	147.0	56.0	-	6
1A2L32000	1A2L32100	2"	40.0	86.0	111.0	107.5	-	147.0	66.0	-	6
1A2016002	-	1" x 3/4"	21.0	55.0	79.5	-	51.0	96.0	38.0	30	25

## SN 200 Ball Valve

**FEATURES:**

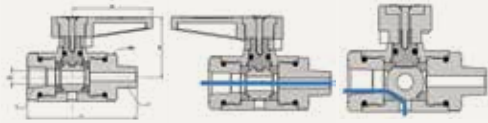
- Female to Female Large bore ball valve
- Standard Brass CW617N
- Possible Threads: BSP or NPT
- Working Pressure - up to 28 Bar (400psi)

**OPTIONS:**

- Long handle
- Nickel or Nickel-Chrome plating

CAT. NO. BSP	CAT. NO. NPT	T Thread	D Dia mm	H mm	L BSP mm	L NPT mm	Short Handle mm	Long Handle mm	SW HEX	Qty/Box Short Handle	Qty/Box Long Handle
1N1002000	1N1002100	1/8"	5.0	26.9	36.0	36.0	36.5	-	21.0	50	-
1N1004000	1N1004100	1/4"	8.0	26.9	41.5	46.5	36.5	-	21.0	50	-
1N1006000	1N1006100	3/8"	8.0	26.9	49.0	49.0	36.5	-	21.0	50	-
1N2008000	1N2008100	1/2"	13.0	48.0	62.5	60.0	51.0	96.0	25.0	50	40
1N2012000	1N2012100	3/4"	17.0	52.0	72.5	69.0	51.0	96.0	32.0	40	30
1N2016000	1N2016100	1"	21.0	55.0	84.0	83.0	51.0	96.0	38.0	25	20
1N2L20000	1N2L20100	1 1/4"	28.0	83.0	94.0	96.0	-	96.0	48.0	-	10
1N2L24000	1N2L24100	1 1/2"	32.0	83.0	107.0	99.0	-	147.0	56.0	-	6
1N2L32000	1N2L32100	2"	40.0	86.0	122.0	121.0	-	147.0	66.0	-	4
1N2016002	-	1" x 3/4"	21.0	55.0	84.0	-	51.0	96.0	38.0	30	25

## SMA - Vented Ball Valve



**FEATURES:**

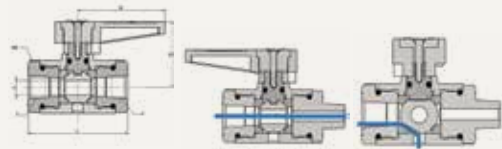
- Male to Female Vented ball valve with Air/Liquid release aperture
- Standard Brass CW617N
- Possible Threads: BSP or NPT
- Working Pressure - up to 25 Bar (Adapted for vacuum environments)

**UTILIZATION:**

- Designed for depressurizing machines and tools to provide a safer working environment. They have a small hole that vents out air on the outlet side, effectively depressurizing a compressed air system.

CAT. NO. BSP	CAT. NO. NPT	T THREAD	D Dia mm	H mm	L mm	R mm	SW HEX	Qty/Box
1MAH02000	1MAH02100	1/8"	4.0	27.3	55.6	36.5	20	50
1MAH04000	1MAH04100	1/4"	6.0	27.3	66.2	36.5	20	50
1MAH06000	1MAH06100	3/8"	6.0	27.3	61.2	36.5	20	50
1MAH08000	1MAH08100	1/2"	6.0	27.3	59.2	36.5	20	50

## SMN - Vented Ball Valve



**FEATURES:**

- Female to Female Vented ball valve with Air/Liquid release aperture
- Standard Brass CW617N
- Possible Threads: BSP or NPT
- Working Pressure - up to 25 Bar (Adapted for vacuum environments)

**UTILIZATION:**

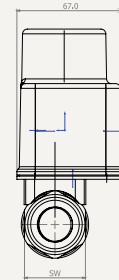
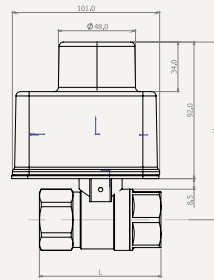
- Designed for depressurizing machines and tools to provide a safer working environment. They have a small hole that vents out air on the outlet side, effectively depressurizing a compressed air system.

CAT. NO. BSP	CAT. NO. NPT	T THREAD	D Dia mm	H mm	L mm	R mm	SW HEX	Qty/Box
1MNH02000	1MNH02100	1/8"	4.0	27.3	41.2	36.5	20	50
1MNH04000	1MNH04100	1/4"	6.0	27.3	43.0	36.5	20	50
1MNH06000	1MNH06100	3/8"	6.0	27.3	58.0	36.5	20	50
1MNH08000	1MNH08100	1/2"	6.0	27.3	73.2	36.5	20	50

## Fast Motorized Ball Valve



Sagiv's high quality motorized ball valve, offering fast switching time (5sec) for control of various liquids and gases under pressure. Suitable for industrial, agricultural and construction systems.



### FEATUERS:

- Fast (5sec) open/close, single switch operation
- When Powered ON: Select Normally Open (N.O.) / Normally Closed (N.C.)
- When Powered OFF or in case of power failure - Keeps its last position
- Adapted for vacuum environments
- Optional auxiliary output to indicate fully opened valve position
- Optional LED indication for fully open valve position

### SPECEFICATION:

- Power supply options: 12V/24V AC/DC - preset in factory
- Working temperatures - Up to 100°C
- Short term temp. - Up to 140°C
- Working Pressure - up to 28 ATM (Adapted for vacuum environments)
- Female to Female valves sizes: 1/2", 3/4", 1"
- Male to Female valves sizes: 1/2", 3/4", 1"
- Valves body material: Standard Brass CW617N

### APPLICATIONS EXAMPLES:

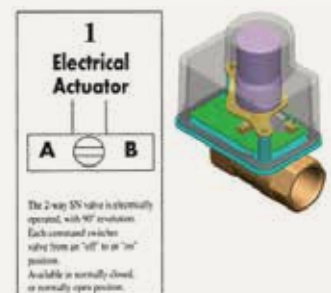
- Temperature control in heating/cooling systems
- Liquids release in high pressure systems
- Flow control in agricultural and industrial water systems
- Fuel systems to control burners
- Gas flow regulation
- Steam systems (low temperature), laundries, kitchens etc...

### AVAILABLE MOTOR TYPES:

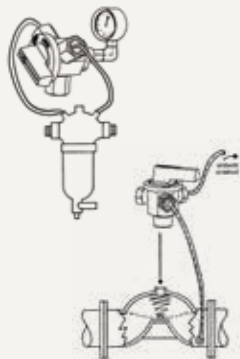
CAT. NO.	Voltage	Current	Position	Indicator
1ENA00012	12V	AC	N/C	NO
1ENAO0012	12V	AC	N/O	NO
1END00012	12V	DC	N/C	NO
1ENDO0012	12V	DC	N/O	NO
1ENA00024	24V	AC	N/C	NO
1ENAO0024	24V	AC	N/O	NO
1END00024	24V	DC	N/C	NO
1ENDO0024	24V	DC	N/O	NO
1ENA0L024	24V	AC	N/C	YES
1END0L024	24V	DC	N/C	YES
1ENDOL024	24V	DC	N/O	YES

### AVAILABLE VALVES TYPES:

CAT. NO.	Size	H mm	L mm	SW HEX
1N2008013	1/2" F-F	114.5	62.5	25
1N2012013	3/4" F-F	118.0	72.5	32
1N2016013	1" F-F	121.5	84.0	38
1A2008013	1/2" M-F	114.5	57.5	25
1A2012013	3/4" M-F	118.0	70.0	32
1A2016013	1" M-F	121.5	79.5	38



## SY - 3 Way Ball Valve



The SY three-way ball valves are the professional's choice for hydraulic flow control. The valves are constructed with a common port at the base of the valve body. Any of the three peripheral ports can be connected to the common port - the other ports are totally sealed. SY is designed for three hydraulic control positions: Open, Closed, and Automatic.

**SPECIFICATION:**

- Passage size: SY3: 3.2 mm (1/8"), SY6: 6.0 mm (1/4")
- P.T.F.E. seals
- BSP or NPT threads
- Ball valve principle

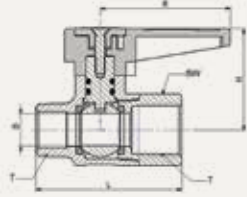
**ADVANTAGES:**

- Using SY, the hydraulic valve can be manually opened/closed in case of operational fault
- Only one moving part
- Easy to assemble
- Easy viewing of the operating position
- All valves are sealed when in a 'between port' position
- Special large bore valve for controlling extra-large hydraulic valves (SY6)
- High quality Teflon seals and Chrome-Nickel plated balls, resistant to all types of irrigation water

Cat. No. BSP	Cat. No. NPT	Model	Inlet	Open	Close	Remote	Qty/Box
1Y3A02000	N/A	SY-3	1/8 M	1/8 F	1/8 F	1/8 F	50
N/A	1Y3N02100	SY-3	1/8 F	1/8 F	1/8 F	1/8 F	50
1Y3A04000	1Y3A04100	SY-3	1/4 M	1/8 F	1/8 F	1/8 F	50
1Y3N040A4	1Y3N041A4	SY-3	1/4 F	1/8 F	1/8 F	1/4 M	50
1Y3N040A2	N/A	SY-3	1/4 F	1/8 M	1/8 F	1/8 F	50
1Y3N040A3	N/A	SY-3	1/4 F	1/8 F	1/8 M	1/8 M	50
N/A	1Y3A041A4	SY-3	1/4 M	1/4 M	1/8 F	1/8 F	50
1Y6N04000	1Y6N04100	SY-6	1/4 F	1/4 F	1/4 F	1/4 F	25
1Y6A04000	1Y6A04100	SY-6	1/4 M	1/4 F	1/4 F	1/4 F	25



## SA 200 Ball Valve Lead Free



**FEATURES:**

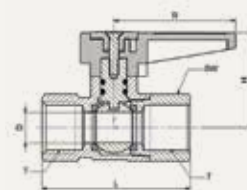
- Large bore ball valve with BSP Male to Female thread
- Temperature range: -5°C - +100°C
- Work pressure: Up to 28 Bar. Sagiv valves are adapted for vacuum environments
- P.T.F.E. seals that ensure a long life performance

**OPTIONS:**

- Long handle
- Nickel or Nickel-Chrome plating

CAT. NO. BSP	T Thread	D Dia mm	H mm	L BSP mm	Short Handle mm	Long Handle mm	SW HEX	Qty/Box Short Handle	Qty/Box Long Handle
1A2008000L	1/2"	13.0	48.0	57.5	51.0	96.0	25.0	50	40
1A2012000L	3/4"	17.0	52.0	70.0	51.0	96.0	32.0	40	30
1A2016000L	1"	21.0	55.0	79.5	51.0	96.0	38.0	30	25
1A2L20000L	1 1/4"	28.0	83.0	94.0	-	96.0	48.0	-	10
1A2L24000L	1 1/2"	32.0	83.0	99.0	-	147.0	56.0	-	6
1A2L32000L	2"	40.0	86.0	111.0	-	147.0	66.0	-	6
1A2016002L	1" x 3/4"	21.0	55.0	79.5	51.0	96.0	38.0	30	25

## SN 200 Ball Valve Lead Free



**FEATURES:**

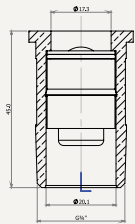
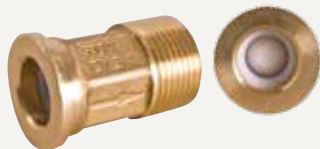
- Large bore ball valve with BSP Female to Female thread
- Temperature range: -5°C - +100°C
- Work pressure: Up to 28 Bar. Sagiv valves are adapted for vacuum environments
- P.T.F.E. seals that ensure a long life performance

**OPTIONS:**

- Long handle
- Nickel or Nickel-Chrome plating

CAT. NO. BSP	T Thread	D Dia mm	H mm	L BSP mm	Short Handle mm	Long Handle mm	SW HEX	Qty/Box Short Handle	Qty/Box Long Handle
1N2008000L	1/2"	13.0	48.0	62.5	51.0	96.0	25.0	50	40
1N2012000L	3/4"	17.0	52.0	72.5	51.0	96.0	32.0	40	30
1N2016000L	1"	21.0	55.0	84.0	51.0	96.0	38.0	25	20
1N2L20000L	1 1/4"	28.0	83.0	94.0	-	96.0	48.0	-	10
1N2L24000L	1 1/2"	32.0	83.0	107.0	-	147.0	56.0	-	6
1N2L32000L	2"	40.0	86.0	122.0	-	147.0	66.0	-	4
1N2016002L	1" x 3/4"	21.0	55.0	84.0	51.0	96.0	38.0	25	20

## Check Valve 3/4" Lead Free



**FEATURES:**

- Built in non-return
- Work pressure: Up to 10 ATM
- Temperature range: Up to 90°C
- Very low head loss
- For installation in water metering systems, at the outlet of the meter
- Prevents backflow of water or air, reduces futile operation of the meter and therefore drastically cuts down water consumption over-charges
- Easy immediate installation without a need for changes in the water meters system

CAT. NO.	Size	Qty/Box
1MD000000L	3/4"	100

## Angle Seat Valves

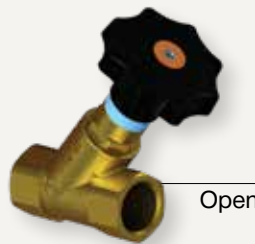
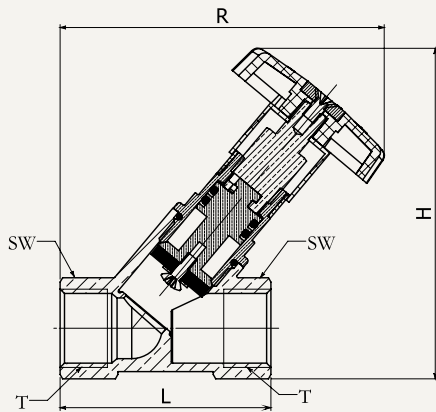


The Orange Line is a line of innovative Angle Seat Valves, designed for potable water applications.

The valves mechanism is based on gas valves mechanism, for high reliability.

### FEATURES & BENEFITS

- Unique & reliable stem sealing mechanism - Prevents water leakage
- Manufactured using Hot Forging technology – For long lasting operation
- Clear marking of the valve state (Open/Close) – For easy remote identification
- The valve handle is made of Glass-reinforced Nylon – Resistant to all weather conditions
- Made from Lead-Free Brass – Perfect for potable water applications
- Working Pressure – up to 16 ATM (235psi)
- Meets Israeli standards 272 & 5452



Open



Close

### UNIQUE CHARACTERISTICS OF SAGIV'S Angle SEAT VALVE

- The mechanism is based on Gas valves mechanism - For high reliability
- Closing and opening produces a continuous, non-spiral mechanism – Prevents abrasion
- Robust mechanism with wide seals – Prevents leaks
- A unique mechanism that is not based on tightening nut technique – For smooth operation of the valve
- Plastic cover for the mechanism - To prevent dirt from penetrating the valve
- A mechanical seal is formed when opened all the way

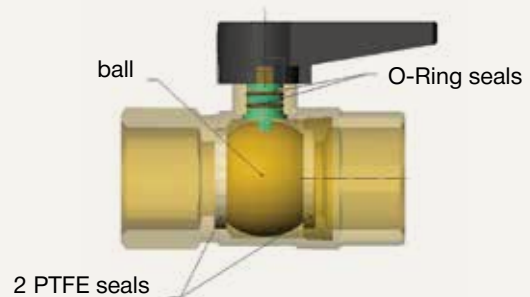
Cat. No. BSP	T Thread	SW HEX	R	H	L	Qty/Box
1ALH12000L	3/4"	32	113	115	73	20
1ALH16000L	1"	38	135	134	87.5	15
1ALH24000L	1/5"	54	181	184	115	9
1HLH32000L	2"	66	214	224	136	5

# LPG & Natural Gas Valves

A line of products designed for LPG & Natural Gas systems.

The Yellow Line includes a range of Gas ball valves, quick connection valves, Angular valves, T valves and manifolds.

The valves mechanism is based on Sagiv's high quality ball mechanism (see drawing).



#### SPECIFICATIONS:

- Main body Material – Standard Brass CW617N
- Ball Gaskets Material – P.T.F.E
- Working Pressure – up to 5 Bar (70 psi)

#### OPTIONS:

- Pipe Sizes - 1/4" up to 2"
- Threads - Male, Female, NPT, BSP
- Connection Types - Flare, Compression Join (Olive), • Rubber pipe
- Plating - Nickel, Nickel-Chrome
- Brackets - Can be added to any ball valve of up to 3/4" in diameter.
- When you order please add "C" to the product name.

For example:

SGA – Gas valve Female Male thread

SGAC - Gas valve Female Male thread + Bracket

In addition Sagiv provides custom-made solutions that can meet various customers' specific requirements.

#### STANDARDS:

The Yellow Line products are manufactured according to the Israeli standard no. 1607 which is identical to the European standard EN-331.

Other international standards are available.

## Mini Gas Ball Valve Model 1



- One side - connection to copper pipe by compression fitting or flare
- Other side - connection to rubber tube
- Comes with a bracket
- Work Pressure: up to 5 Bar

Cat. No.	D Diameter	Type	Qty/Box
1G1F04001	5.5 mm	Rubber Tube - Flare 1/4"	50
1G1F05001	5.5 mm	Rubber Tube - Flare 5/16"	50
1G1F06001	5.5 mm	Rubber Tube - Flare 3/8"	50
1G1Z04001	5.5 mm	Rubber Tube - Compression fitting 1/4"	50
1G1Z05001	5.5 mm	Rubber Tube - Compression fitting 5/16"	50
1G1Z06001	5.5 mm	Rubber Tube - Compression fitting 3/8"	50
1FP809011	5.5 mm	Rubber Tube - Flare 1/2"	40

## Mini Angular Gas Ball Valve



- One side - connection to copper pipe by flare or compression fitting
- Other side - connection to rubber tube
- Can be fitted with right or left outlet to rubber tube as required
- Comes with a bracket
- Work pressure: up to 5 Bar

Cat. No.	D Diameter	Type	Qty/Box
1GRF040Z0	5.5 mm	Flare 1/4" - Right	50
1GLF040Z0	5.5 mm	Flare 1/4" - Left	50
1GRF050Z0	5.5 mm	Flare 5/16" - Right	50
1GLF050Z0	5.5 mm	Flare 5/16" - Left	50
1GRZ050Z0	5.5 mm	Compression fitting 5/16" - Right	50
1GLZ050Z0	5.5 mm	Compression fitting 5/16" - Left	50
1GRF060Z0	5.5 mm	Flare 3/8" - Right	50
1GLF060Z0	5.5 mm	Flare 3/8" - Left	50
1GRZ060Z0	5.5 mm	Compression fitting 3/8" - Right	50
1GLZ060Z0	5.5 mm	Compression fitting 3/8" - Left	50

## Mini Quick Connection Gas Ball Valve



- One side - connection to copper pipe by flare
- Other side - connection to rubber tube
- Comes with a bracket
- Work pressure: Up to 0.3 Bar
- Approved for the American CSA standard
- Checked by ANSIZ 21,41 - 1998
- Approved for the new Israeli standard 1607

Cat. No.	D Diameter	Type	Qty/Box
1QAF06000	5.5 mm	Flare 3/8" - Tube - quick connection	25

## Mini Gas Ball Valve Model 2



- One side - connection to copper pipe
- Other side - connection to copper pipe
- Connection by flare or compression fitting
- Comes with a bracket
- Work pressure: Up to 5 Bar

Cat. No.	D Diameter	Type	Qty/Box
1G2F05001	5.5 mm	Flare 5/16" - Flare 5/16"	50
1G2F06001	5.5 mm	Flare 3/8" - Flare 3/8"	50
1G2Z05001	5.5 mm	Compression fitting 5/16" - Compression fitting 5/16"	50
1G2Z06001	5.5 mm	Compression fitting 3/8" - Compression fitting 3/8"	50
1FF809011	9.8 mm	Flare 1/2" - Flare 1/2"	30

## T Gas Ball Valve



- Direct one-way flow and a cut-off valve to an extra gas point
- Connection by flare
- Work pressure: Up to 5 Bar

Cat. No.	D Diameter	Type	Qty/Box
1G0001000	7.0 mm	Flare 3/8"-Flare 3/8"-Flare 3/8"	50
1G0001002	7.6 mm	Flare 1/2"-Flare 3/8"-Flare 1/2"	50
1G0001001	9.0 mm	Flare 1/2"-Flare 1/2"-Flare 1/2"	50
1G0001003	6.0 mm	Flare 1/2"-Flare 1/4"-Flare 1/2"	50
1G0110102	9.5 mm	Flare 5/8"-Flare 5/8"-Flare 1/2"	40
1G0110100	9.5 mm	Flare 5/8"-Flare 5/8"-Flare 5/8"	50

## 2-3-4 Gas Ball Valves Manifolds



- A combined valve system, used for distribution of the regulated gas to multiple meters and/or consumer points
- All manifolds are easy to assemble with right or left outlets
- Yellow line manifolds allow maximum gas capacity
- Work pressure: Up to 5 Bar

Cat. No.	D Diameter	Type	Qty/Box
1G0208100	6.0 mm	3/8" Manifold - 2 Outlets	15
1G0308102	6.0 mm	3/8" Manifold - 3 Outlets	10
1G0408100	6.0 mm	3/8" Manifold - 4 Outlets	10
1G0209100	9.5 mm	1/2" Manifold - 2 Outlets	15
1G0308100	9.5 mm	1/2" Manifold - 3 Outlets	10
1G0409100	9.5 mm	1/2" Manifold - 4 Outlets	10
1G0210100	9.5 mm	1/2"x5/8" Manifold - 2 Outlets	15
1G0410100	9.5 mm	1/2"x5/8" Manifold - 4 Outlets	10

## SGN Gas Ball Valve



- One side - Female NTP thread
- Other side - Female NTP thread
- Work pressure: Up to 5 Bar

Cat. No.	D Diameter	Type	Qty/Box
1N1002108	5 mm	Female 1/8" - Female 1/8"	50
1N1004108	8 mm	Female 1/4" - Female 1/4"	50
1N1006108	8 mm	Female 3/8" - Female 3/8"	50
1N2008108	13 mm	Female 1/2" - Female 1/2"	50
1N2012108	17 mm	Female 3/4" - Female 3/4"	40
1N2016108	21 mm	Female 1" - Female 1"	25
1N2L20108	28 mm	Female 1.1/4" - Female 1.1/4"	10
1N2L24108	32 mm	Female 1.1/2" - Female 1.1/2"	6
1N2L32108	40 mm	Female 2" - Female 2"	4

## SGA Gas Ball Valve



- One side - Male NPT thread
- Other side - Female NPT thread
- Work pressure: Up to 5 Bar

Cat. No.	D Diameter	Type	Qty/Box
1A1002108	5 mm	Male 1/8" - Female 1/8"	50
1A1004108	8 mm	Male 1/4" - Female 1/4"	50
1A1006108	8 mm	Male 3/8" - Female 3/8"	50
1A2008108	13 mm	Male 1/2" - Female 1/2"	50
1A2012108	17 mm	Male 3/4" - Female 3/4"	40
1A2016108	21 mm	Male 1" - Female 1"	25

## SGP Gas Ball Valve



- One side - connection to rubber tube
- Other side - NPT thread:
  - Male NPT thread (SGAP)
  - Female NPT thread (SGNP)
- Work pressure: up to 5 Bar

SGNPC - Valve + Wall Bracket

SGAPC - Valve + Wall Bracket

Cat. No.	D Diameter	Type	Qty/Box	Cat. No.	D Diameter	Type	Qty/Box
1N2P08100	5.5 mm	Female 1/2" - Tube	50	1A2P08100	5.5 mm	Male 1/2" - Tube	50

## SGFC Gas Ball Valve



- One side - Female NPT thread
- Other side - Flare connecton to copper pipe
- Comes with nickel plating and a bracket
- Work pressure: Up to 5 Bar

Cat. No.	D Diameter	Type	Qty/Box
1NF609101	7.0 mm	Female 1/2" - Flare 3/8"	40
1NF809111	9.8 mm	Female 1/2" - Flare 1/2"	30

## SGC Gas Ball Valve



- NPT thread on both sides  
Male to Female NPT thread (SGAC)  
Female to Female NTP thread (SGNC)
- Comes with a bracket
- Work pressure: up to 5 Bar

SGAC				SGNC			
Cat. No.	D Diameter	Type	Qty/Box	Cat. No.	D Diameter	Type	Qty/Box
1A1004109	8 mm	Male 1/4" - Female 1/4"	50	1N1004109	8 mm	Female 1/4" - Female 1/4"	50
1A2008101	13 mm	Male 1/2" - Female 1/2"	40	1N2008101	13 mm	Female 1/2" - Female 1/2"	40
1A2012101	17mm	Male 3/4" - Female 3/4"	30	1N2012101	17 mm	Female 3/4" - Female 3/4"	30

## SGF Gas Ball Valve



- One side: Flare connection to copper pipe
- Other side:  
Male NPT thread (SGAF)  
Female NPT thread (SGNF)
- Work pressure: up to 5 Bar

SGAF				SGNF			
Cat. No.	D Diameter	Type	Qty/Box	Cat. No.	D Diameter	Type	Qty/Box
1F3004100	7.0 mm	Male 1/4" - Flare 3/8"	50	1NF609100	7.0 mm	Female 1/2" - Flare 3/8"	40
1F4004100	7.0 mm	Male 1/4" - Flare 1/2"	50	1NF809100	7.0 mm	Female 1/2" - Flare 1/2"	40
1AF609100	7.0 mm	Male 1/2" - Flare 3/8"	40				
1AF809100	9.8 mm	Male 1/2" - Flare 1/2"	40				

## Dielectric Connectors For Gas Valves

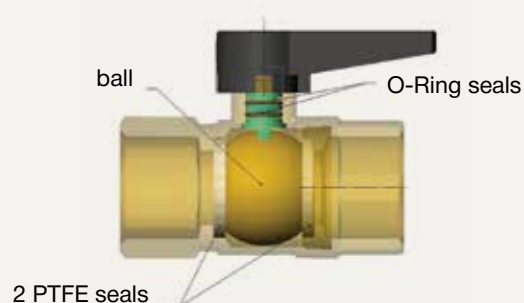


- Designed to protect accumulating tanks against corrosion
- Manufactured with P.O.L male or female thread
- Work Pressure: Up to 25 Bar

Cat. No.	D Diameter	Type	Qty/Box
1GMH0810P	8 mm	N.P.T 1/2" thread	50
1GPOL0000	8 mm	P.O.L 511" thread	30

# Hydronic & HVAC Valves

A line of products designed for Hydronic & HVAC Systems. The Blue Line includes a range of High Stem ball valves, Zone valves and TMVs (Thermostatic Mixing Valves). The valves mechanism is based on Sagiv's high quality ball mechanism.



#### SPECIFICATIONS:

Main body Material - Standard Brass CW617N

Ball Gaskets Material - P.T.F.E

Working Pressure - up to 28 ATM (400psi)

Working Temperature Range -  $-5^{\circ}\text{C}$  -  $+100^{\circ}\text{C}$

#### OPTIONS:

Pipe Sizes - 1/2" up to 2"

Threads - Male, Female, NPT, BSP, Flare

Plating - Nickel, Nickel-Chrome

Handle Size - Various handle size and shapes

In addition Sagiv provides custom-made solutions that can meet various customers' specific requirements.

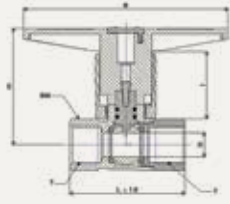
#### STANDARDS:

The Blue Line products are manufactured according to the Israeli standard no. 1144.

Other international standards are available.



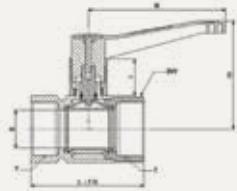
### SHN 200 Ball Valve



- Elongated handle ball valve with BSP Female to Female thread
- P.T.F.E. seals
- Temperature range: -5° - +100°C
- Work pressure: Up to 28 Bar (400 psi)
- NPT thread optional

CAT. NO. BSP	T Thread	D Dia mm	DN mm	H mm	I mm	L mm	R mm	SW HEX	Qty/Box
1N2008007	1/2"	13.0	15.0	66.5	35.5	62.5	110.0	25.0	30
1N2012007	3/4"	17.0	20.0	66.0	35.5	72.5	110.0	32.0	30
1N2016007	1"	21.0	25.0	69.0	35.5	84.0	110.0	38.0	20

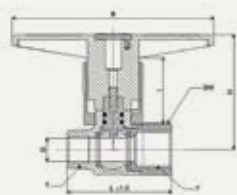
### SHNL 200 Ball Valve



- Elongated handle ball valve with BSP Female to Female thread
- Longer handle for ease of operation
- P.T.F.E. seals
- Temperature range: -5° - +100°C
- Work pressure: Up to 28 Bar (400 psi)
- NPT thread optional

CAT. NO. BSP	T Thread	D Dia mm	DN mm	H mm	I mm	L mm	R mm	SW HEX	Qty/Box
1N2020007	1 1/4"	27.0	30.0	97	39.0	107.0	126	48.0	10
1N2L24007	1 1/2"	32.0	40.0	108	39.0	107.0	147	56.0	6
1N2L32007	2"	40.0	50.0	114	39.0	121.0	147	66.0	4

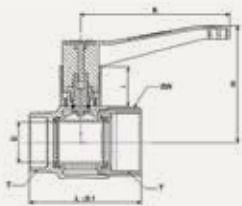
### SHA 200 Ball Valve



- Elongated handle ball valve with BSP Male to Female thread
- P.T.F.E. seals
- Temperature range: -5° - +100°C
- Work pressure: Up to 28 Bar (400 psi)
- NPT thread optional

CAT. NO. BSP	T Thread	D Dia mm	DN mm	H mm	I mm	L mm	R mm	SW HEX	Qty/Box
1A2008007	1/2"	13.0	15.0	62.0	35.5	57.5	110.0	25.0	30
1A2012007	3/4"	17.0	20.0	66.0	35.5	70.0	110.0	32.0	30
1A2016007	1"	21.0	25.0	69.0	35.5	79.5	110.0	38.0	20

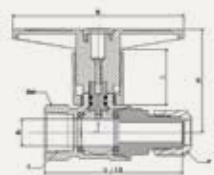
## SHAL 200 Ball Valve



- Elongated handle ball valve with BSP Male to Female thread
- Longer handle for ease of operation
- P.T.F.E. seals
- Temperature range: -5° - +100°C
- Work pressure: Up to 28 Bar (400 psi)
- NPT thread optional

CAT. NO. BSP	T Thread	D Dia mm	DN mm	H mm	I mm	L mm	R mm	SW HEX	Qty/Box
1A2020007	1 1/4"	27.0	30.0	83	35.5	94.0	126	48.0	10
1A2L24007	1 1/2"	32.0	40.0	108	39.0	99.0	147	56.0	6
1A2L32007	2"	40.0	50.0	114	39.0	110.0	147	66.0	4

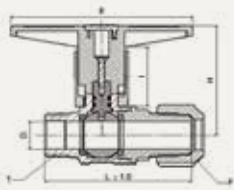
## SHNF 200 Ball Valve



- Elongated handle ball valve with BSP Female thread to Flare connection
- P.T.F.E. seals
- Temperature range: -5° - +100°C
- Work pressure: Up to 28 Bar (400 psi)
- NPT thread optional

CAT. NO. BSP	T Thread	D Dia mm	DN mm	H mm	I mm	L mm	R mm	SW HEX	Qty/Box
1N2F08001	1/2" x F5/8"	13.0	15.0	66.0	35.5	85.6	110.0	25.0	30
1N2F12001	3/4" x F5/8"	17.0	20.0	66.0	35.5	87.6	110.0	32.0	25
1N2F12003	3/4" x F3/4"	17.0	20.0	66.0	35.5	87.6	110.0	32.0	25
1N2F16002	1" X F3/4"	21.0	25.0	69	35.5	94.0	110	38.0	20

## SHAF 200 Ball Valve



- Elongated handle ball valve with BSP Male thread to Flare connection
- P.T.F.E. seals
- Temperature range: -5° - +100°C
- Work pressure: Up to 28 Bar (400 psi)
- NPT thread optional

CAT. NO. BSP	T Thread	D Dia mm	DN mm	H mm	I mm	L mm	R mm	SW HEX	Qty/Box
1A2F08001	1/2" x F5/8"	13.0	15.0	66.0	35.5	85.5	110.0	26.0	30
1A2F12001	3/4" x F5/8"	17.0	20.0	66.0	35.5	85.5	110.0	28.0	25
1A2F12003	3/4" x F3/4"	17.0	20.0	66.0	35.5	85.5	110.0	28.0	25
1A2F16002	1" X F3/4"	21.0	25.0	69	35.5	90.0	110	38.0	20

# CLICK CONTROL Motorized Zone Valve

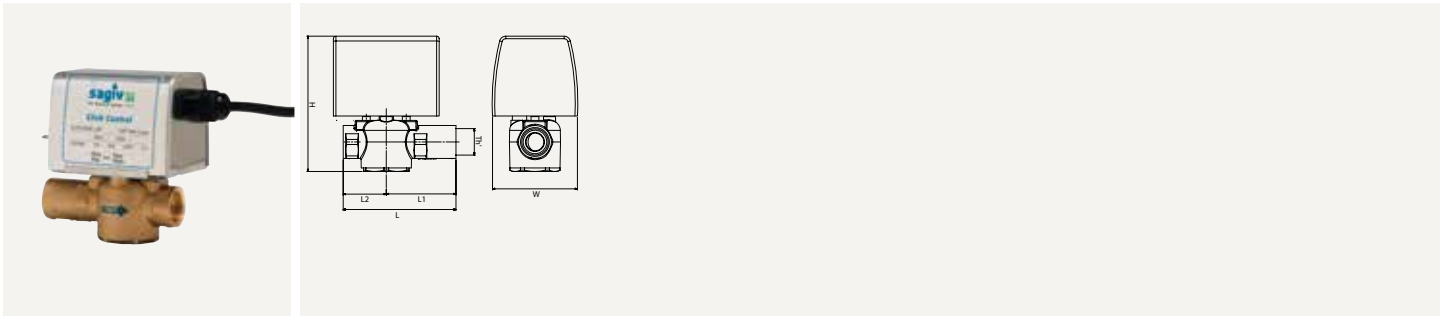
**ADVANTAGES:**

- Speedy open/close operation
- Easy installation
- Reliable Heavy duty

**TECHNICAL DATA:**

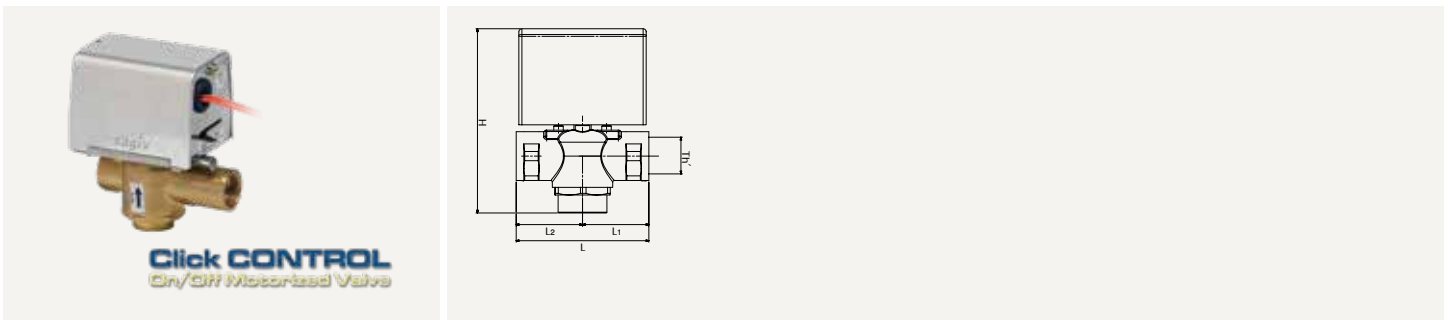
- On-Off operation, two way and three way models
- Easy disconnection of the motor from the valve
- Manual override
- One way motor with spring return
- The valve body is made from standard CW617N Brass
- The control unit is water protected

## 2-Way Click Control



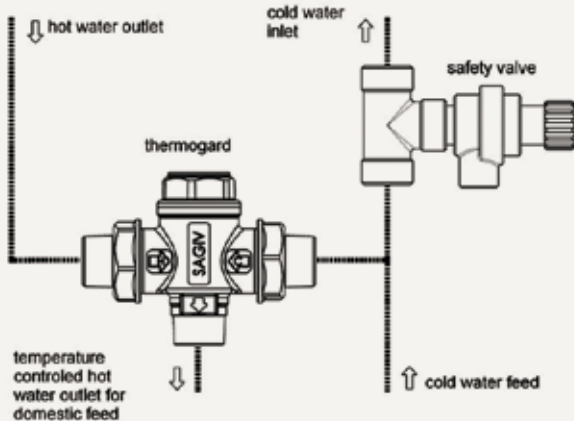
CAT. NO.	Size	H mm	L mm	L1 mm	L2 mm	W mm	Qty/Box
18FCF0002	5/8"	106.8	89.0	55.0	34.0	67.0	10
18FC120T2	3/4"	104.0	87.0	43.5	43.5	67.0	10
18FM160T2	1"	127.0	105.0	48.0	48.0	67.0	10
18EN00001	Motor only	-	-	-	-	-	10

## 3-Way Click Control



CAT. NO. BSP	T Thread	D Dia mm	DN mm	H mm	I mm	L mm	R mm
18FCF0003	5/8"	106.8	89.0	55.0	34.0	67.0	10
18FC120T3	3/4"	104.0	87.0	43.5	43.5	67.0	10
18FM160T3	1"	136.0	95.0	48.0	48.0	67.0	10
18EN00001	Motor only	-	-	-	-	-	10

## Thermostatic Mixing Valves



Sagiv Thermostatic Mixing Valves restricts homes, hospitals, elderly homes, etc. hot water temperature so to prevent skin burns as well as protecting the piping system from the hot water temperature.

**FEATURES & ADVANTAGES:**

- Prevents hot water burns, mainly with children and elderly people
- Protects the hot water pipe system from cracks, scale, swelling and corrosion
- Can be easily fitted to existing and new plumbing systems
- No pressure loss even when multiple taps are open
- Large area filters that prevents from clogs as of dirt, scale and fur
- Extremely accurate temperature control mechanism - no temperature spikes

**SPECIFICATIONS:**

- Output controlled temperature stability +/- 20°C
- Water flow: 50 Liter per minute, at 3 ATM
- Made from Lead-free Brass – approved for drinking water

## Sagiv Mixing Valve 520 – ThermoGard



Sagiv Mixing Valve 520 – ThermoGard, restricts the home hot water temperature to 52°C, in order to prevent skin burns as well as protecting the piping system from the hot water temperature – that might reach up to 95°C (200°F) at summer.

Cat. No. BSP

Cat. No. NPT

Hot & Cold Water Inlets

Output

Qty/Box

1HVN15001L

1HVT15102L

F 3/4"

M 3/4"

10

## Sagiv Washable Thermostatic Mixing Valve 450 – TSO 450

Washable Thermostatic Mixing Valve (TMV) that allows for system sanitation



Special applications TMV aimed at locations such as nursing and sheltered accommodation. The TMV limits the hot water temperature to 45°C to prevent scalds and include a built-in mechanism that allows for system sanitation, in order to prevent bacterial infection (such as Legionella). The TMV is approved by the Israeli Ministry of Health.

Instructions for flushing the system and executing a shock treatment using a thermal shock.

The flushing of the system will be done in the frequency indicated in the local Standard and according to the requirements of the Ministry of Health.

- Closing the ball valve at the cold water inlet
- Opening the upper valve lever to vertical position
- Flushing hot water at the required temperature for the duration required following the sanitation guidelines.
- Lowering the upper valve lever and opening the ball valve back to working mode.
- Checking that the temperature is back to 42°C-45°C.

Cat. No. BSP

Cat. No. NPT

Hot & Cold Water Inlets

Output

Qty/Box

1HVT4200AL

F 3/4"

M 3/4"

10



The RV/Caravan Utilities line is a family of external connectors which allow safe and elegant connection to external hot & cold shower, external connection to a BBQ and other LPG appliances, and city water connection to the RV/Caravan.

## MATERIALS

- Corrosion resistant materials suitable for potable water and LP Gas
- Plastic parts made of high quality materials with long-term UV resistance
- All metal parts: Hot forged Brass alloy CW716
- Plastic unit- Polycarbonate reinforced with 30% glass fiber – UV resistance
- Lever handle- ABS (Acrylonitrile Butadiene Styrene)
- Hinges, springs and screws: stainless steel
- Gas valve gaskets: rubber NBR gaskets conforming to EN549 standard
- Wall gaskets and cap gaskets - UV and ozone resistant EPDM (Ethylene Propylene Diene Monomer - Synthetic rubber)
- Ball valve seals: PTFE
- Rubber gaskets: EPDM approved for drinking water according to WRAS

## INSTALLATION

- Cut a 60mm (2.36 Inch ) hole with a core drill and affix with self-drilling screws
- Connect pipes with standard fittings

## Outdoor Shower Point

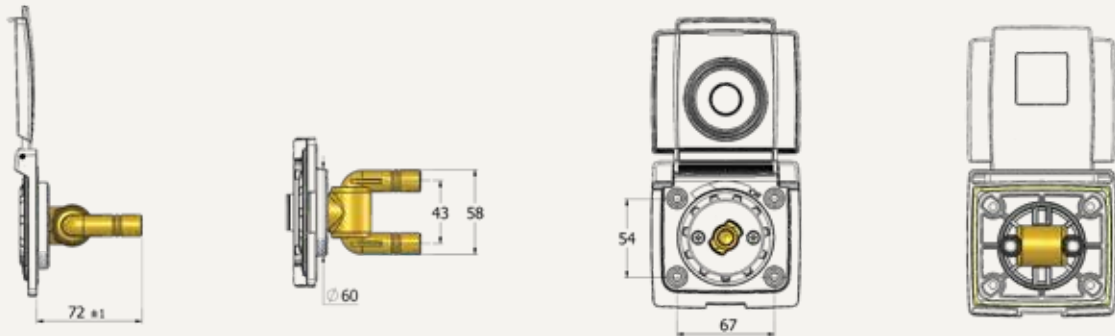


External hot & cold shower point for washing kids, pets, etc. before entering the RV/Caravan

- Simple turn on and water temperature adjustment
- Detachable hose and swivel for storage
- Locks in place upon turning, to prevent accidental detachment when in use
- Robust and durable - the product is made of high quality materials
- Easily installed using a core drill
- Elegant, well styled compact design
- Cover locks open and closed
- Backflow prevention devices at hot and cold water inlets to prevent back syphonage due to negative pressure
- High quality pressure resistant nozzle with 360° rotation
- Swivel connections at both ends of the hose for greater convenience
- Max. working pressure: 10 Bar (145 PSI)
- Max. water temperature : 85°C (185°F)

### CONFIGURATION:

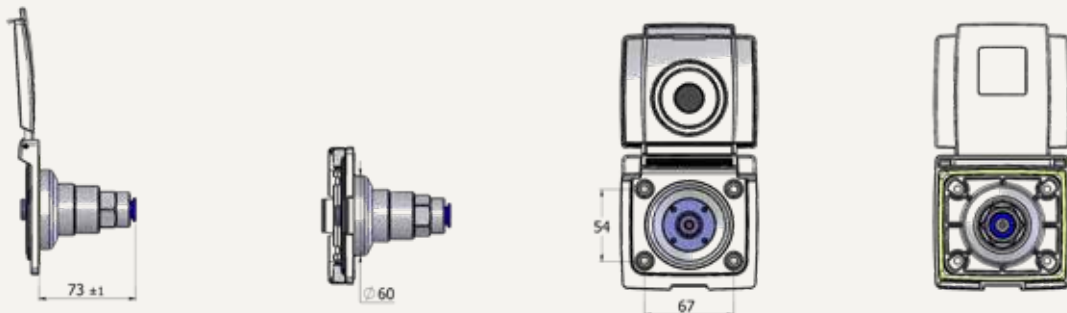
- Three connection types: UK, Europe and North America
- Available in White, Grey & Black
- Water hose length: 1.5m, 2m, 2.5m, 3m (5ft, 6.56, 8.2ft, 10ft)



## Water Inlet Point



- Comes with a pressure limiter to prevent damage to internal piping installation
- Pressure reduction to 1.5 bar
- Fits universal garden hose connection
- Can be used for water fill-up from mains supply and from external tank
- Comes with air vents to release excess air during filling
- Simple installation
- Elegant, well styled compact design
- High quality materials
- Cover locks open and closed



## BBQ - Outdoor Barbecue Point

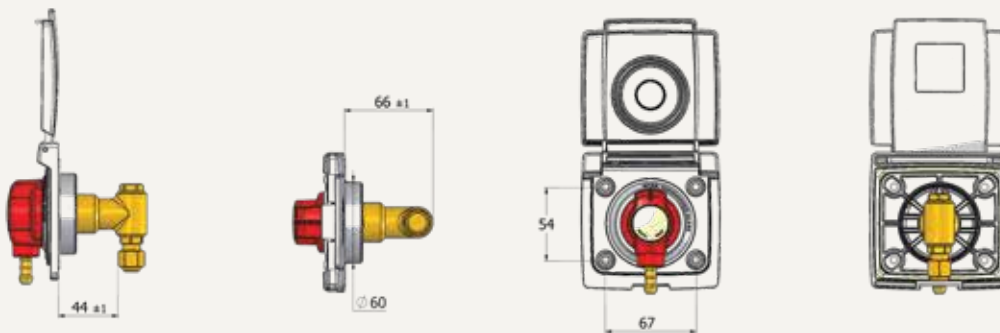


External quick connect gas point, for easy connection to all standard BBQ grills, heaters and LPG appliances

- Complete with Plug in tail connector (included in kit)
- Safe – No gas comes out unless Plug is in lock position
- Robust and durable - the product is made of high quality materials
- Easily installed using a core drill
- Elegant, well styled compact design
- Cover locks open and closed
- Comes with angled inlet connector as shown
- Max working pressure: 7 Bar
- Meets the requirements of EN 331 Standard RV/Caravan Utility Access Points

**CONFIGURATION:**

- Available in White, Grey & Black



**UltraSlide®**  
 Dry Forever!  
 O-Ring free!

## Sagiv UltraSlide™

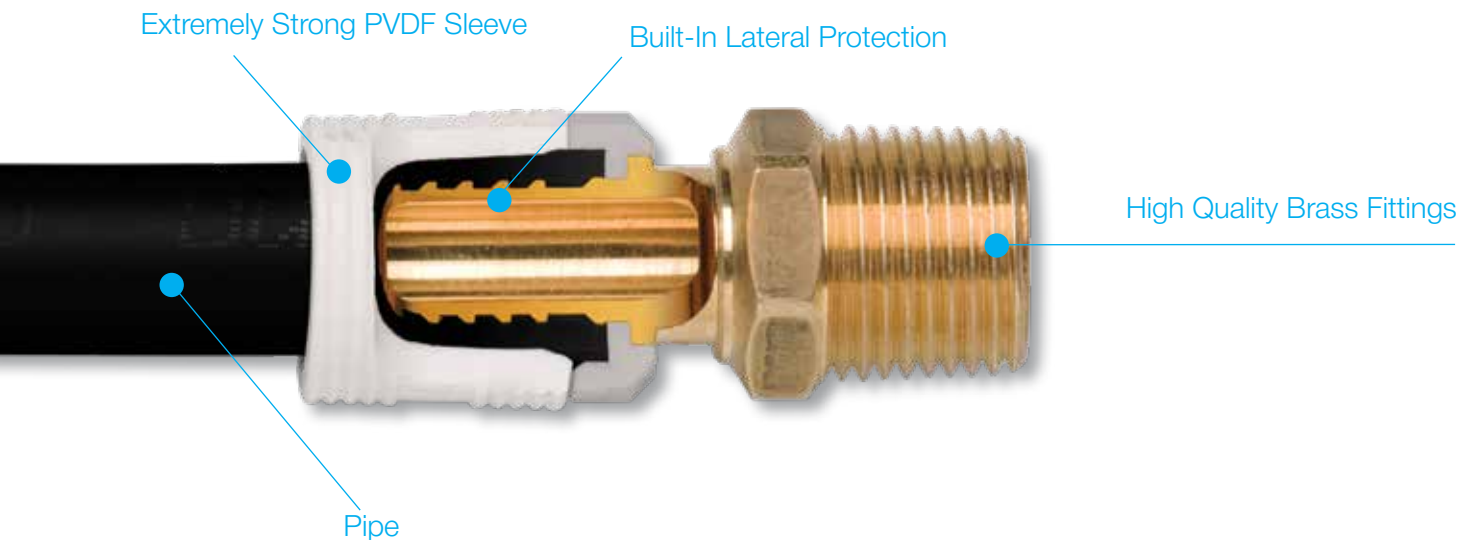
Innovative slide pipe fitting system for all PEX & PE-RT pipe types, that is reliable, easy to use, and allows for leakage-free installation. The Ultra-Slide eliminates the need for O-Ring, and uses a patented sealing technology based on the penetration of the fitting tooth into the pipe surface, and an extremely strong sleeve that functions as a spring, keeping the connection area tidy and 'Dry-Forever.

## Features

- Used with all PE-based pipes (PEX, PE-RT, Composite, EVOH, etc.)
- USA patent No. US 8191226
- Was approved by DVGW & NSF
- Self-Align technology ensuring uniform stretching of the pipe
- O-Ring free technology allowing thinner fittings
- Forged brass fittings, a technology that ensures a lifetime of strength and durability
- Single-step manual & hydraulic tools for 16-32mm pipes
- Suitable for multiple applications: hot & cold water, Radiator heating systems, etc.

## Benefits

- Best solution for Multi-Layer pipes (PEX & PE-RT) - No need to expand the pipe edges, therefore no damage occurs to the Aluminum layer
- Dry Forever - The O-Ring is replaced by built-in lateral protection
- Increased flow capacity - The O-Ring free technology allows for significantly thinner fittings
- Easy to use - No need for calibration & pre-expansion of the pipe edges
- Saves time on installation - A Single tool is used for 16-32mm pipes





The UltraSlide™ Pipe Fitting System Includes:

High quality Brass fittings & PVDF Sleeves



Innovative single-step operation tools



THE UltraSlide™ SYSTEM IN OPERATION:



Cut the pipe



Set the fitting and the pipe in the tool



Connect the fitting and the sleeve to the pipe - in a single step

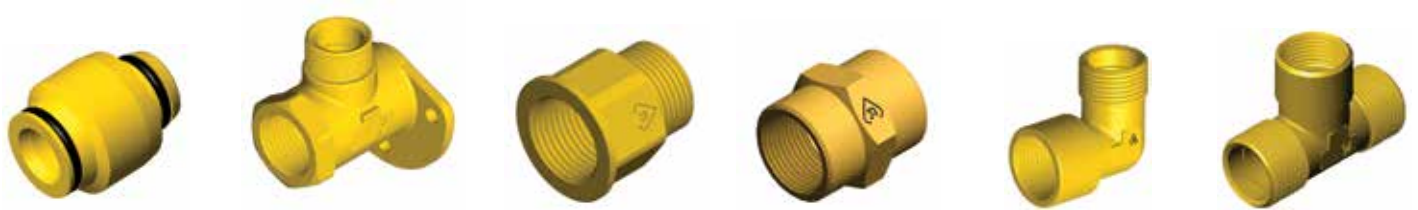


Done

Sagiv Press Fittings for Pex-Al-Pex pipes



Sagiv Screw Fittings for Pex-Al-Pex pipes





# About Sagiv

## **In the heart of the Negev**

Located at Mashabei Sadeh, Sagiv is Israel's leading company for the production and export of ball valves, special valves and accessories on demand. These allow full control of water, gas, petrol and oil flow. Our products are integrated within many systems in industry, construction, air conditioning and agriculture.

## **International Presence**

Our plant exports its products to the most advanced and demanding industrialized nations in the world along with developing areas who are seeking advanced flow control solutions.

## **Close to the Customer**

Our R&D department works in close liaison with the engineering divisions of our clients. In this way we can give responses in real time to the unique requests that often arise with client projects.

## **Excellent Reputation**

Sagiv has earned a reputation for high quality, creativity and reliability. As a result of our extensive experience on the industry and our passion to solve the challenges introduced by our customers.

## **Financial Strength**

Sagiv is equally owned by Kibbutz Mashavey Sade and by GaonAgro Industries Ltd. – a subsidiary of Gaon Holdings Ltd, one of Israel's leading investment companies. GaonAgro deals primarily in the water infrastructure industry, water related projects and agriculture.



Kibbutz Mashabei Sade 8551000 Israel  
Tel. +972-8-6565333 Fax. +972-8-6565340  
sales@sagiv.com



[www.sagiv.com](http://www.sagiv.com)